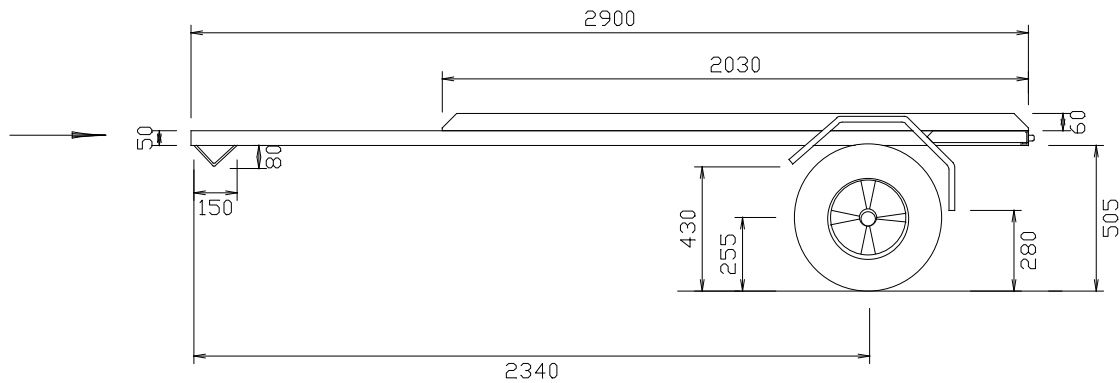


TOP VIEW

TOW BALL UNIT  
FITTED TO THE  
TRAILER END



SIDE VIEW

Rev	AMMENDMENTS	Date

ALL DIMENSIONS IN MILLIMETRES

Drawn by	Scale	Date
JSWINKELS	1 : 20	29-9-90

AIRBORNE WINDSPORTS PTY LTD	
TRAILER SPECIFICATIONS	A3-5051